



LI-TIAN LIGHTING





LI-TIAN LIGHTING

KINGFISHER





LI-TIAN LIGHTING





LI-TIAN LIGHTING

ROSE Pro

LT-SL3.8



Technical features



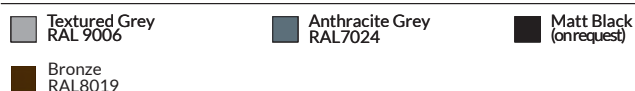
Technical data

| | |
|----------------|---|
| Wattage | 30/40/60W |
| IP Rating | IP66 |
| IK Rating | IK06 |
| Material | High corrosion resistance die-cast copper-free aluminum body |
| Coating | Polyester powder coating with phosphocromating pre-finish |
| Light source | 1xCOB CRI>90 |
| Screws | Stainless steel |
| Transformer | Electronic power supply 220/240V 50/60Hz built-in or AC120-277V |
| Gasket | Silicone rubber |
| Glass | Tempered |
| Power cable | 0.5 mt. neoprene power cable included |
| Gross weight | 2.15 Kg |
| Packaging size | 32*32*42cm |

| light source* | lumen output (lm) | lumin. efficacy (lm/w) | light beam options |
|-------------------|-------------------|------------------------|--------------------|
| 3000°K warm-white | | | |
| 30W COB | 3000.0 | 100.00 | 15° |
| 40W COB | 4000.0 | | 24° |
| 60W COB | 6000.0 | | 36° |
| | | | 40°70° |

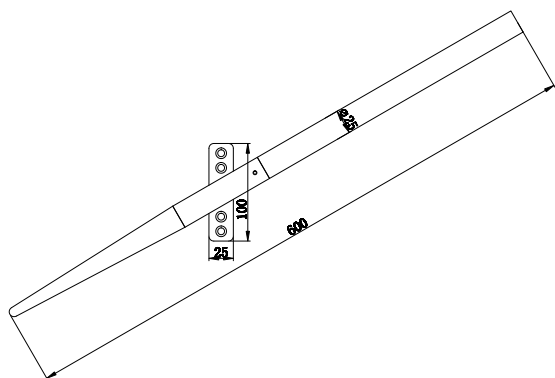
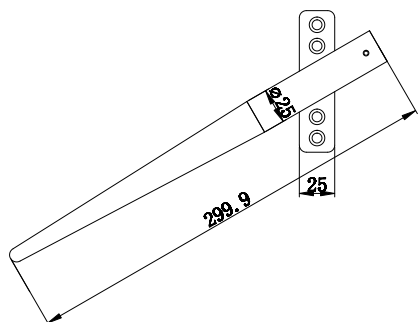
2700/4000/5000K CCT available on request

Finish color options :



Customizable in different finishing colors

KINGFISHER/INSTALLING LAMP ARM



Material: 304 stainless steel+aluminum profile

Surface treatment: Polyester powder spraying

Install: Suitable for circular poles with a diameter of 60-200mm

Note: Length can be customized

